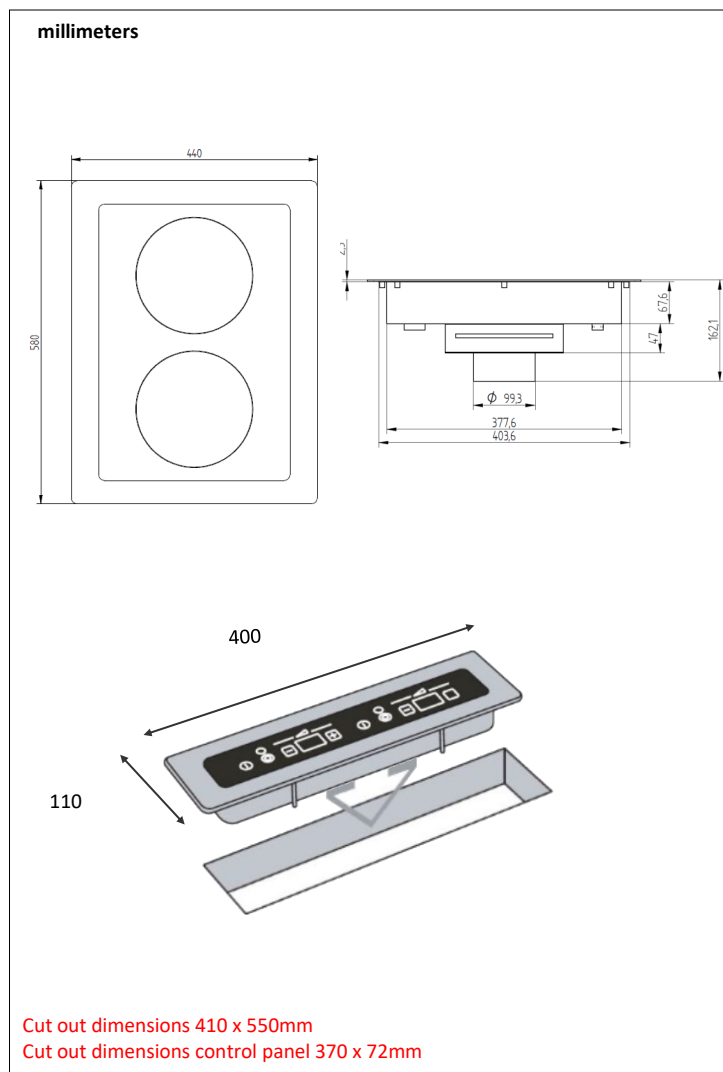


TECHNICAL FEATURES	
External structure	AISI 304 stainless steel
Dimensions	580 x 440
Power	6000W
Cooking surface	Vitroc ceramic glass.
Control panel	Capacitive touches control panel
Amp	13 A (x2)
Functions	On/Off, manual power setting (+/-) with 2 digits display for each zone. key for simultaneous setting of both zones
Coil	210 mm / 8.3 inches diameter for each zone
Power supply	230V; AC 50 - 60 Hz
Weight	13 kg / 22 lbs.
Standards	Complies with European standards for safety of electrical appliances, for EMC, for Rohs and Intertek NSF & UL standards.
Details & Options	Including a 1m60 (5 ft 3 inches) power cord and a filter (wash regularly).



ADVENTYS
Route de Pagny - 21250 Seurre - France
www.adventys.com
sales@adventys.com
T: +33 3 80 20 46 15

Important note

Adventys reserves the right to modify specifications without notice.

